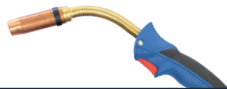
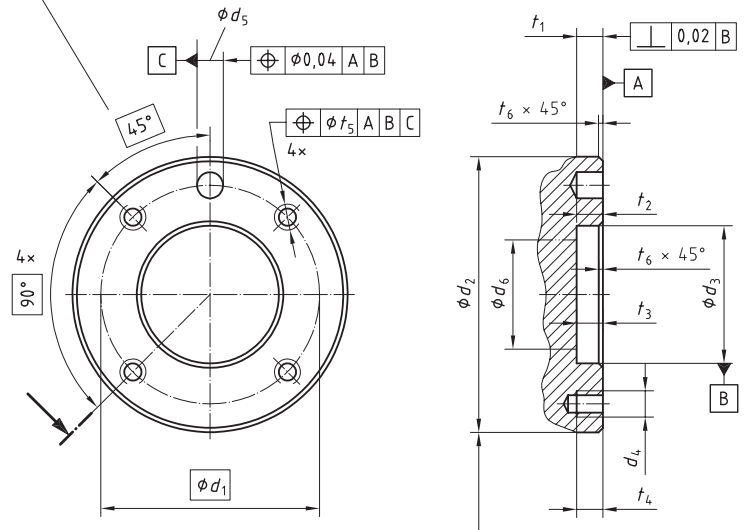


The Cobot torch support bracket is designed to work with air- or liquid-cooled, external-beam, MIG-MAG welding torches by Binzel®. Setting up the torch is quick, simple and tool-less.



Compatible with most Cobot arms currently available on the market:

- ABB
- Dobot
- Doosan
- FANUC
- HANWHA
- JAKA
- Kassow
- Omron
- Techman
- Universal Robot



**MIG-MAG compatible torches**

MIG/MAG GRIP 350 A steel - 4 m - Air Original equipment: Ø 1.2 (steel)	040946
MIG/MAG GRIP 500 A steel - 4 m - Liquid Original equipment: Ø 1.2 (steel)	041004

**Dimensions in mm (ISO 9409-1:2004)**

d1	d2 h8	d3 H7	d4	d5 H7	d6	t1 min.	t2 min.	t3 min.	t4	t5	t6 min
50	63	31,5	M6	6	-	6	6	6	-	0,2	1